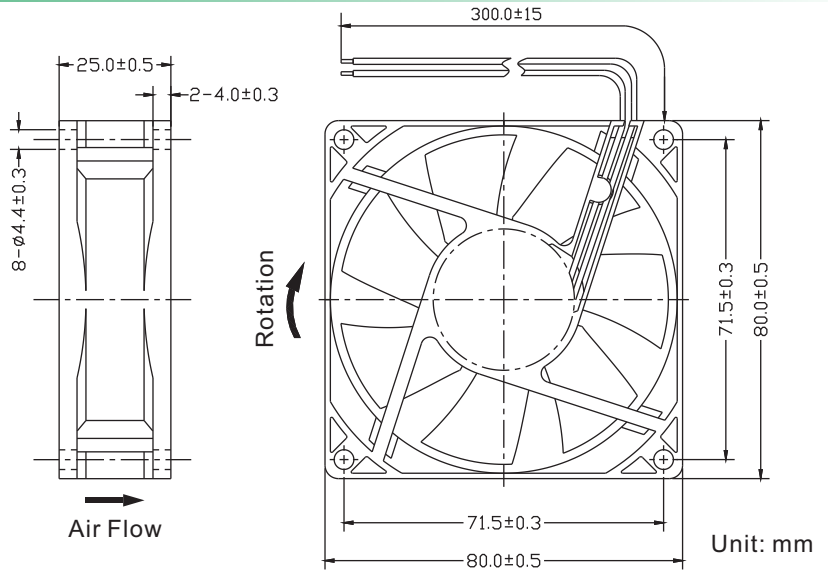


80X80X25mm

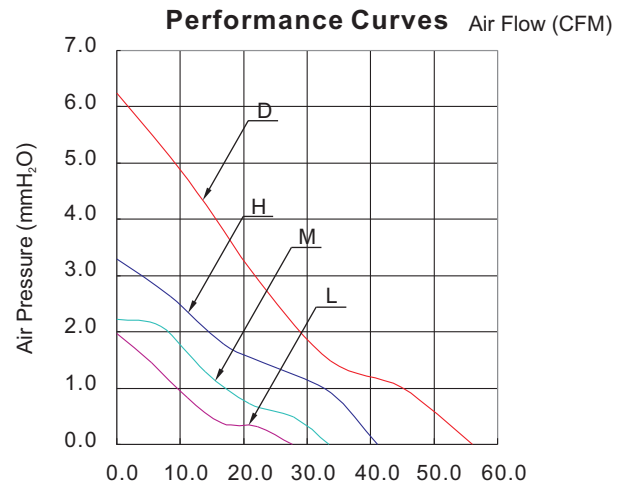


**General Specification:**

- Frame and Impeller : Thermal Plastic , UL 94V-0
- Lead Wires : UL Type  
(+) : Red (-) : Black
- Operation Temperature : -10°C~70°C、  
35%~85%RH
- Storage Temperature : -40°C~80°C、  
35%~85%RH

**Motor Protection:**

- Impedance Protected
- Reverse Polarity Protected



Listed Model	Bearing System	Rated Voltage	Operation Voltage	Rated Current	Rated Speed	Air Flow	Air Pressure	Noise Level	Available Features (Optional)				Weight
		VDC	VDC	A	RPM	CFM	mmH <sub>2</sub> O	dBA	Tachometer Output	Rotation Detector	Thermal Control	Pulse Width Modulation	g
8025D12US	Sleeve	12	6.0~13.8	0.40	4,000	56.0	6.2	43	•	•		•	76
8025D12HS			6.0~13.8	0.23	3,000	41.0	3.3	33	•	•		•	
8025D12MS			6.0~13.8	0.16	2,500	33.4	2.2	28	•	•		•	
8025D12LS			6.0~13.8	0.13	2,000	27.7	1.9	23	•	•		•	
8025D12UB	Ball		6.0~13.8	0.40	4,000	56.0	6.2	43	•	•		•	
8025D12HB			6.0~13.8	0.23	3,000	41.0	3.3	33	•	•		•	
8025D12MB			6.0~13.8	0.16	2,500	33.4	2.2	28	•	•		•	
8025D12LB			6.0~13.8	0.13	2,000	27.7	1.9	23	•	•		•	
8025D24HS	Sleeve	24	12.0~27.6	0.15	3,000	41.0	3.3	33	•	•			
8025D24MS			12.0~27.6	0.12	2,500	33.4	2.2	28	•	•			
8025D24LS	12.0~27.6		0.09	2,000	27.7	1.9	23	•	•				
8025D24HB	Ball		12.0~27.6	0.15	3,000	41.0	3.3	33	•	•			
8025D24MB			12.0~27.6	0.12	2,500	33.4	2.2	28	•	•			
8025D24LB			12.0~27.6	0.09	2,000	27.7	1.9	23	•	•			

\* all model could be customized on voltage or any other requirements to fit your need  
 \* [http:// www.jingdafan.com](http://www.jingdafan.com)