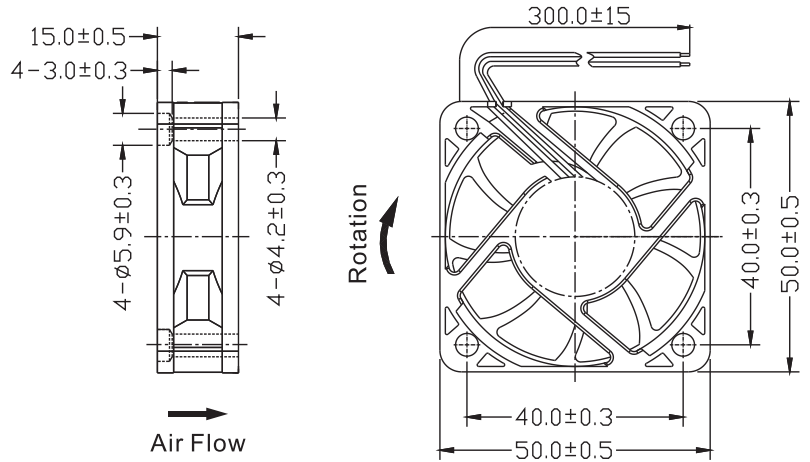
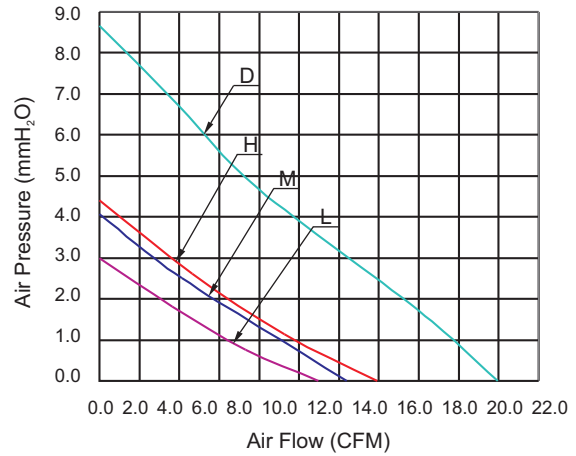


50X50X15mm



Unit: mm

Performance Curves



General Specification:

- Frame and Impeller : Thermal Plastic , UL 94V-0
- Lead Wires : UL Type
(+) : Red (-) : Black
- Operation Temperature : -10℃~70℃、
35%~85%RH
- Storage Temperature : -40℃~80℃、
35%~85%RH

Motor Protection:

- Impedance Protected
- Reverse Polarity Protected

Listed Model	Bearing System	Rated Voltage	Operation Voltage	Rated Current	Rated Speed	Air Flow	Air Pressure	Noise Level	Available Features (Optional)				Weight
		VDC	VDC	A	RPM	CFM	mmH ₂ O	dBA	Tachometer Output	Rotation Detector	Thermal Control	Pulse Width Modulation	g
5015D5HS	Sleeve	5	3.5~5.75	0.33	5,500	13.9	4.4	32	•	•			30
5015D5MS			3.5~5.75	0.25	5,000	12.4	4.1	30	•	•			
5015D5LS			3.5~5.75	0.20	4,500	11.0	3.0	27	•	•			
5015D5HB	Ball		3.5~5.75	0.33	5,500	13.9	4.4	32	•	•			
5015D5MB			3.5~5.75	0.25	5,000	12.4	4.1	30	•	•			
5015D5LB			3.5~5.75	0.20	4,500	11.0	3.0	27	•	•			
5015D12HS	Sleeve	12	6.0~13.8	0.16	5,500	13.9	4.4	32	•	•			
5015D12MS			6.0~13.8	0.14	5,000	12.4	4.1	30	•	•			
5015D12LS			6.0~13.8	0.12	4,500	11.0	3.0	27	•	•			
5015D12HB	Ball		6.0~13.8	0.16	5,500	13.9	4.4	32	•	•			
5015D12MB			6.0~13.8	0.14	5,000	12.4	4.1	30	•	•			
5015D12LB			6.0~13.8	0.12	4,500	11.0	3.0	27	•	•			
5015D24US	Sleeve	24	12.0~27.6	0.18	8,000	20.0	8.7	42	•	•			
5015D24HS			12.0~27.6	0.10	5,500	13.9	4.4	32	•	•			
5015D24MS			12.0~27.6	0.08	5,000	12.4	4.1	30	•	•			
5015D24LS	Ball		12.0~27.6	0.06	4,500	11.0	3.0	27	•	•			
5015D24UB			12.0~27.6	0.18	8,000	20.0	8.7	42	•	•			
5015D24HB			12.0~27.6	0.10	5,500	13.9	4.4	32	•	•			
5015D24MB		12.0~27.6	0.08	5,000	12.4	4.1	30	•	•				
5015D24LB		12.0~27.6	0.06	4,500	11.0	3.0	27	•	•				

* all model could be customized on voltage or any other requirements to fit your need

* [http:// www.jingdafan.com](http://www.jingdafan.com)