

80x80x38 mm

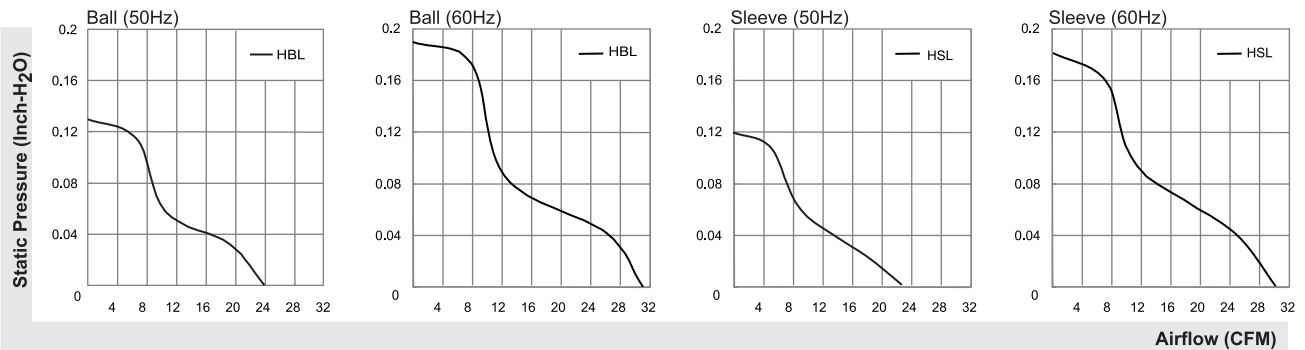
JING DA FAN

23-31 CFM

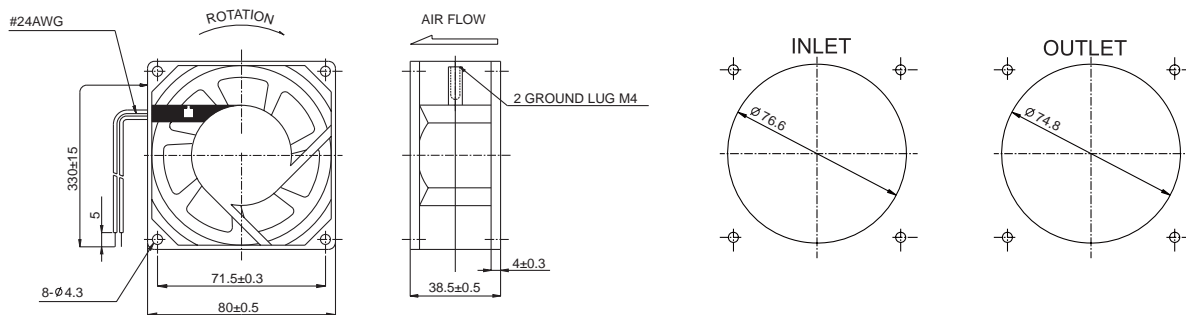
Frame : Aluminum alloy



Model	P/N	Bearing	Rating Voltage (VAC)	Freq. (Hz)	Power Current (AMP)	Power Consumption (WATTS)	Speed (RPM)	Air Flow (CFM)	Static Pressure (Inch-H ₂ O)	Noise (dBA)	Weight (g)
JD8038AC	8038A1HSL	○	115	50/60	0.15/0.13	14/12	2300/2750	23/30	0.12/0.18	31/35	340
JD8038AC	8038A1HBL	⊙	115	50/60	0.15/0.13	14/12	2400/2850	24/31	0.13/0.19	32/36.5	340
JD8038AC	8038A2HSL	○	220-240	50/60	0.09/0.08	18/16	2300/2750	23/30	0.12/0.18	31/35	340
JD8038AC	8038A2HBL	⊙	220-240	50/60	0.09/0.08	18/16	2400/2850	24/31	0.13/0.19	32/36.5	340



UNITS:mm



- * all model could be customized on voltage or any other requirements to fit your need
- * [http:// www.jingdafan.com](http://www.jingdafan.com)