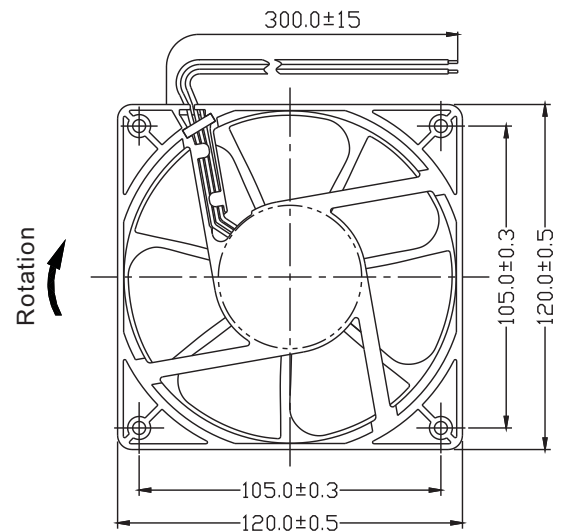
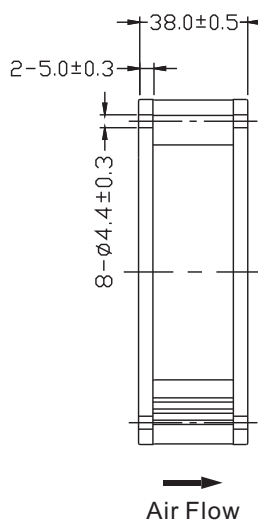


120X120X38mm



Unit: mm

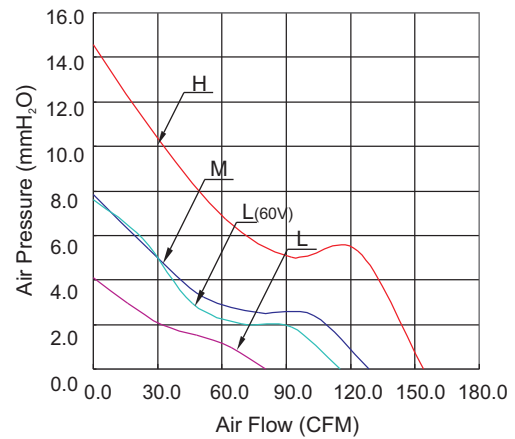
General Specification:

- Frame and Impeller : Thermal Plastic , UL 94V-0
- Lead Wires : UL Type
(+) : Red (-) : Black
- Operation Temperature : -10°C~70°C、
35%~85%RH
- Storage Temperature : -40°C~80°C、
35%~85%RH

Motor Protection:

- Impedance Protected
- Reverse Polarity Protected

Performance Curves



Listed Model	Bearing System	Rated Voltage	Operation Voltage	Rated Current	Rated Speed	Air Flow	Air Pressure	Noise Level	Available Features (Optional)				Weight
		VDC	VDC	A	RPM	CFM	mmH ₂ O	dBA	Tachometer Output	Rotation Detector	Thermal Control	Pulse Width Modulation	g
12038D12HS	Sleeve	12	6.0~13.8	1.30	3,800	154.0	14.6	52	•	•	•	•	290
12038D12MS			6.0~13.8	0.58	2,900	128.7	7.8	44	•	•	•	•	
12038D12LS			6.0~13.8	0.28	2,000	80.4	4.1	35	•	•	•	•	
12038D12HB	Ball		6.0~13.8	1.30	3,800	154.0	14.6	52	•	•	•	•	
12038D12MB			6.0~13.8	0.58	2,900	128.7	7.8	44	•	•	•	•	
12038D12LB			6.0~13.8	0.28	2,000	80.4	4.1	35	•	•	•	•	
12038D24HS	Sleeve	24	12.0~27.6	0.60	3,800	154.0	14.6	52	•	•	•	•	
12038D24MS			12.0~27.6	0.40	2,900	128.7	7.8	44	•	•	•	•	
12038D24LS			12.0~27.6	0.30	2,000	80.4	4.1	35	•	•	•	•	
12038D24HB	Ball		12.0~27.6	0.60	3,800	154.0	14.6	52	•	•	•	•	
12038D24MB			12.0~27.6	0.40	2,900	128.7	7.8	44	•	•	•	•	
12038D24LB			12.0~27.6	0.30	2,000	80.4	4.1	35	•	•	•	•	
12038D48HS	Sleeve	48	24.0~55.2	0.35	3,800	154.0	14.6	52	•	•	•	•	
12038D48MS			24.0~55.2	0.30	2,900	128.7	7.8	44	•	•	•	•	
12038D48LS			24.0~55.2	0.20	2,000	80.4	4.1	35	•	•	•	•	
12038D48HB	Ball		24.0~55.2	0.35	3,800	154.0	14.6	52	•	•	•	•	
12038D48MB			24.0~55.2	0.30	2,900	128.7	7.8	44	•	•	•	•	
12038D48LB			24.0~55.2	0.20	2,000	80.4	4.1	35	•	•	•	•	

* all model could be customized on voltage or any other requirements to fit your need
 * [http:// www.jingdafan.com](http://www.jingdafan.com)