

92X92X25 mm

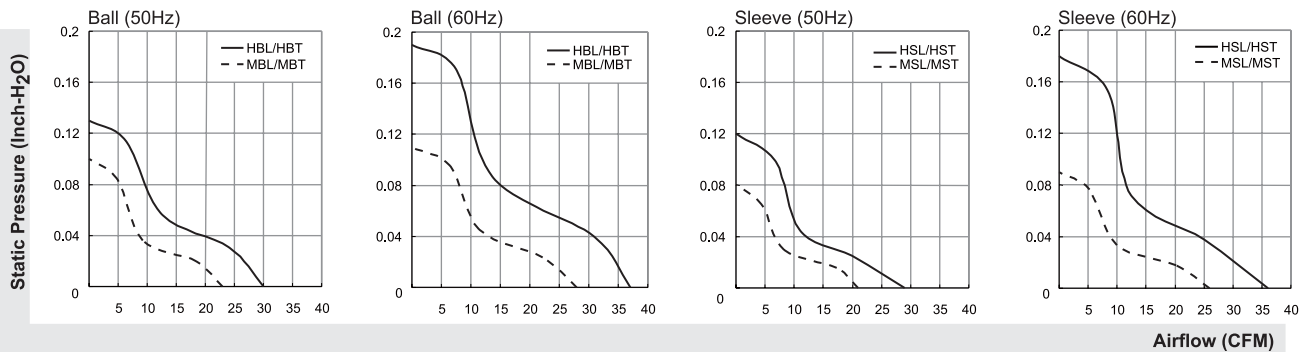
JING DA FAN

21-37 CFM

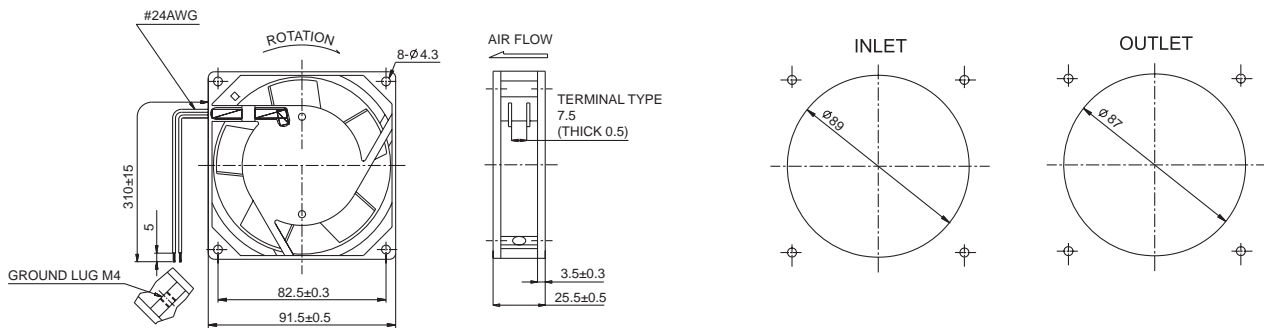
Frame : Aluminum alloy



Model	P/N	Bearing ● BALL ○ Sleeve	Rating Voltage (VAC)	Freq. (Hz)	Power Current (AMP)	Power Consumption (WATTS)	Speed (RPM)	Air Flow (CFM)	Static Pressure (Inch-H ₂ O)	Noise (dBA)	Weight (g)
JD9225AC	9225A1HSL	○	115	50/60	0.12/0.11	13/12	2250/2750	29/36	0.12/0.18	36/39	280
JD9225AC	9225A1HST	○	115	50/60	0.12/0.11	13/12	2250/2750	29/36	0.12/0.18	36/39	280
JD9225AC	9225A1MSL	○	115	50/60	0.06/0.06	7/6	1550/1700	21/26	0.08/0.09	28/30	280
JD9225AC	9225A1MST	○	115	50/60	0.06/0.06	7/6	1550/1700	21/26	0.08/0.09	28/30	280
JD9225AC	9225A1HBL	●	115	50/60	0.12/0.11	13/12	2350/2850	30/37	0.13/0.19	37/40	280
JD9225AC	9225A1HBT	●	115	50/60	0.12/0.11	13/12	2350/2850	30/37	0.13/0.19	37/40	280
JD9225AC	9225A1MBL	●	115	50/60	0.07/0.06	7/6	1800/2100	23/28	0.10/0.11	31/33	280
JD9225AC	9225A1MBT	●	115	50/60	0.07/0.06	7/6	1800/2100	23/28	0.10/0.11	31/33	280
JD9225AC	9225A2HSL	○	220-240	50/60	0.07/0.06	14.5/14	2250/2750	29/36	0.12/0.18	36/39	280
JD9225AC	9225A2HST	○	220-240	50/60	0.07/0.06	14.5/14	2250/2750	29/36	0.12/0.18	36/39	280
JD9225AC	9225A2MSL	○	220-240	50/60	0.07/0.07	15/14	2000/2500	27/33	0.11/0.16	32/37	280
JD9225AC	9225A2MST	○	220-240	50/60	0.07/0.07	15/14	2000/2500	27/33	0.11/0.16	32/37	280
JD9225AC	9225A2HBL	●	220-240	50/60	0.07/0.06	14.5/14	2350/2850	30/37	0.13/0.19	37/40	280
JD9225AC	9225A2HBT	●	220-240	50/60	0.07/0.06	14.5/14	2350/2850	30/37	0.13/0.19	37/40	280
JD9225AC	9225A2MBL	●	220-240	50/60	0.07/0.07	15/14	2200/2700	28/35	0.12/0.18	35/38	280
JD9225AC	9225A2MBT	●	220-240	50/60	0.07/0.07	15/14	2200/2700	28/35	0.12/0.18	35/38	280



UNITS:mm



- * all model could be customized on voltage or any other requirements to fit your need
- * [http:// www.jingdafan.com](http://www.jingdafan.com)